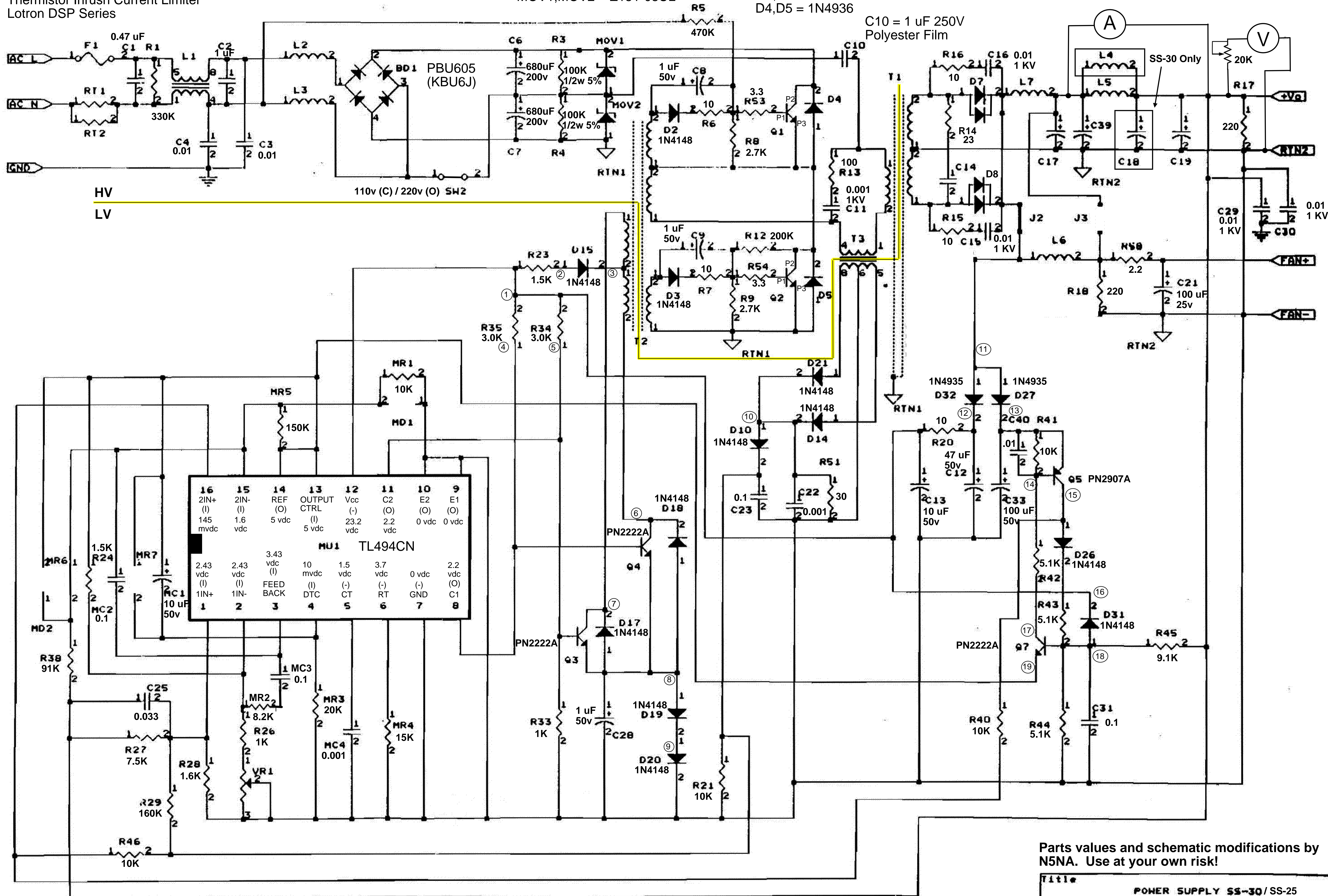


RT1 & RT2 = 5 ohm 4 amp NTC  
Thermistor Inrush Current Limiter  
Lotron DSP Series

MOV1, MOV2 = Z151-03UL

Q1, Q2 = 2SC2625  
D4, D5 = 1N4936

D7, D8 = FEP30DP  
C17, C18, C19, C39 = 3300uF, 16v



Parts values and schematic modifications by N5NA. Use at your own risk!

Title	POWER SUPPLY SS-30/SS-25
Size Document Number	A3
Date	September 25, 2000
Sheet	1 of 1

Circled numbers correspond to the test points shown on page 2.

# Astron SS25 / SS30 Test Voltages

Test Point	Vdc Operating	Vdc 13.8v into output	Vdc Operating No MU1
1	22.90	12.99	7.20
2	2.18	5.43	2.06
3	2.18	4.75	1.39
4	2.15	1.49	2.08
5	2.17	1.47	1.80
6	2.13	4.75	1.39
7	2.13	4.75	1.39
8	1.55	1.42	1.38
9	0.77	0.71	0.69
10	0.01	0.00	0.00
11	13.80	13.80	1.39
12	23.20	13.21	7.39
13	29.50	26.50	33.70
14	28.00	26.40	33.70
15	0.14	0.14	0.03
16	22.80	13.00	7.28
17	28.00	26.00	33.80
18	4.95	4.95	0.49
19	5.00	4.95	0.02

